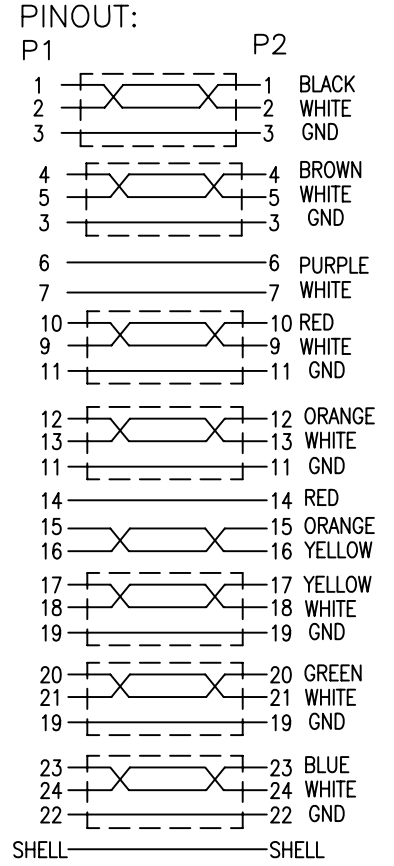
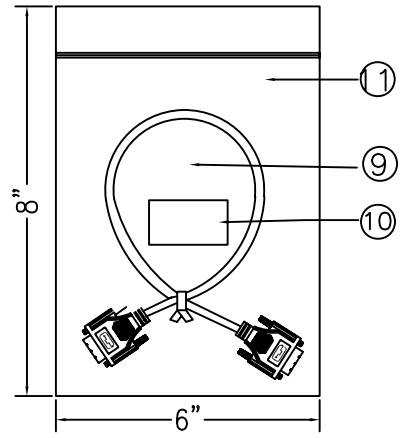
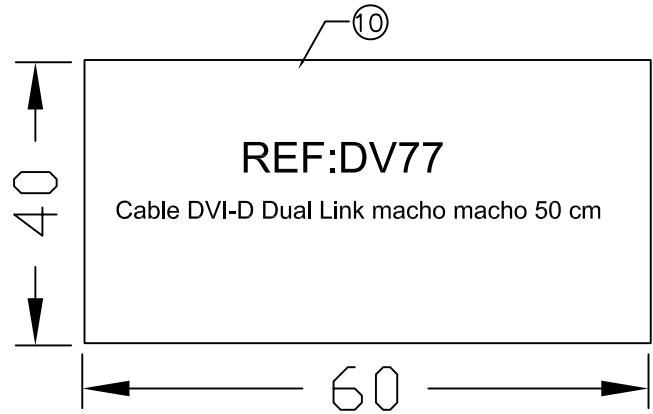
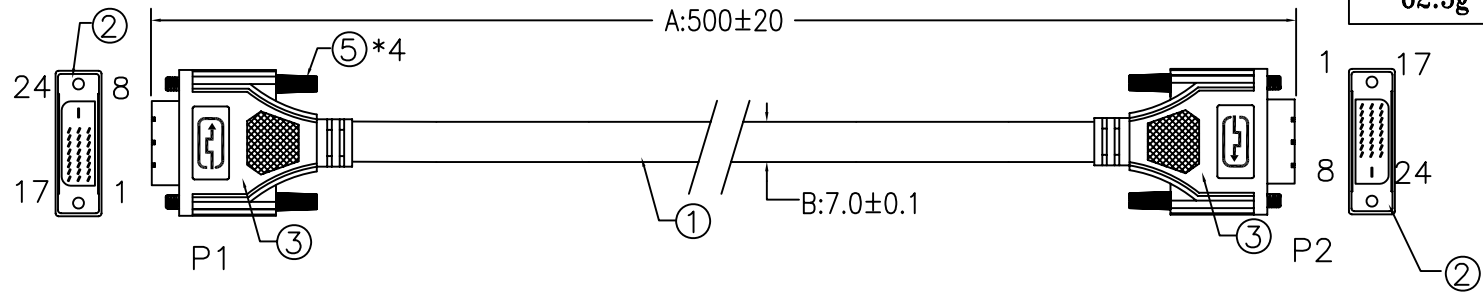


WEIGHT	CUSTOMER NO:	REMARK
62.5g-K1	DV77	Cablematic



- NOTES:
- 1) PRIMARY DIM:A,B
 - 2) DVI-DIGITAL DUAL LINK
 - 3) P1&P2 DIE NO:OH24007
 - 4) 1PC/PE BAG+LABEL.
 - 5) RoHS COMPLIANT.

4	SCREW #4-40UNC APPLE E:30.5 BLACK(1101) ROHS
3	OUTER JACKET PVC 45Pa BLACK(1101) ROHS
2	DVI 24P+1/M BLACK TERMINAL GOLD FLASH
1	UL20276 (30#1P+1)7+30#(1P+3C)+AEB(64BAM) OD7.0 BLACK(1101) 500MM RoHS

A	FIRST EDITION	J.LAN	11/06/11
REV.	ECR	DESCRIPTION	C.N. DATE
<small>THESE DRAWINGS AND SPECIFICATIONS ARE THE PROPERTY OF WIRETEK COMPUTER LIMITED AND SHALL NOT BE REPRODUCED COPIED OR USED IN ANY MANNER WITHOUT THE PRIOR WRITTEN CONSENT OF WIRETEK COMPUTER LIMITED.</small>			
<small>UNLESS OTHERWISE SPECIFIED: DIMENSIONS ARE IN MILLIMETERS ANGULAR TOLERANCE: ±1.0°</small>		TITLE	
DIMS		DVI CABLE	
0.00 TO 30.00mm	±0.10mm	CHKD.	CONF.
30.01 TO 80.00mm	±0.13mm	DR.	APPD.
80.01 TO 150.00mm	±0.15mm	J.LAN	
150.01mm	±0.20mm	PART NO.	2162-3400
MATERIAL	MATERIAL	SCALE	SHEET 1/1 UNIT MM SIZE A4 REV. A
FINISH	FINISH	/	