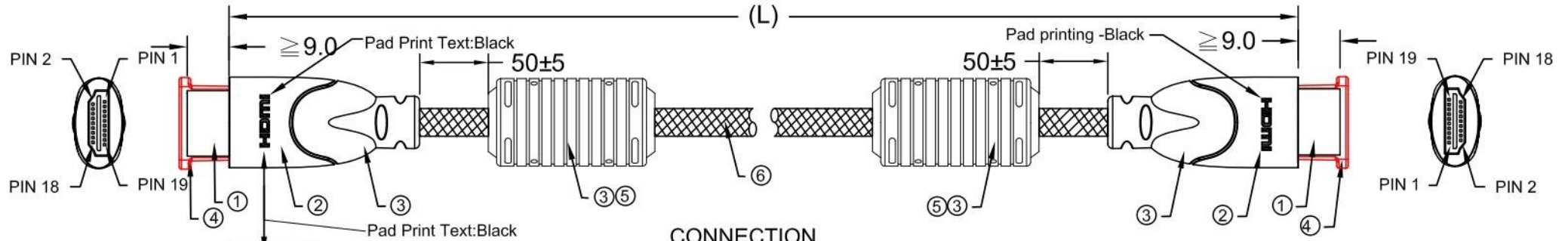
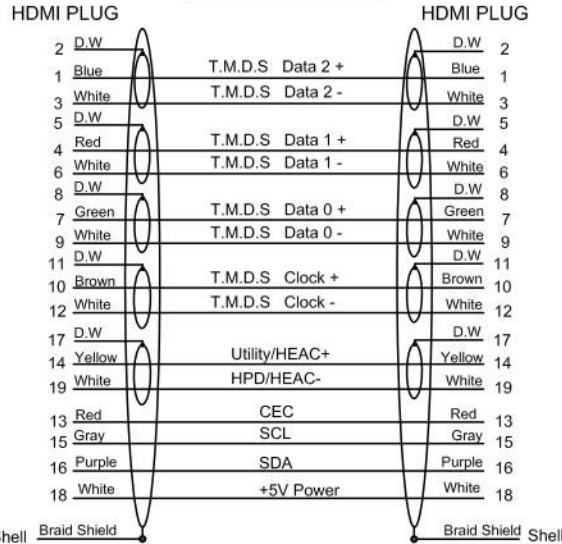


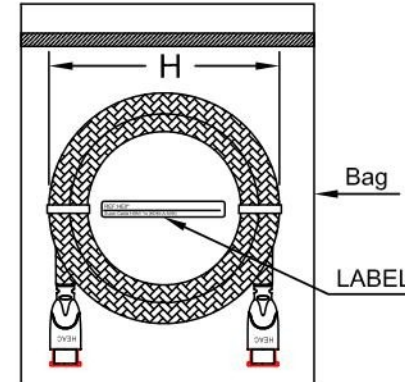
REV.	REVISED DESCRIPTION	DATE	CHECKED
4.0	Change The Connector	2010.5.17	



CONNECTION



HANK SIZE



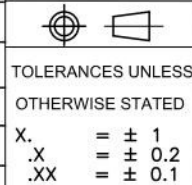
Packing:1PC/PE Bag

ERP NO.	PART NO.	LENGTH(L)	LENGTH(H)
A00-00816-0128	HH03	3000±50	Φ 160±10
A00-00816-0129	HH04	5000±80	

ELECTRIC TESTING:

- 100% OPEN & SHORT TESTING
- INSULATION RESISTANCE: $\geq 20M\Omega$.
- CONDUCTOR IMPEDANCE: $\leq 5\Omega$.
- VOLTAGE: 300V/0.1S.

6	Cable Spec: {[(7/0.127Tc+F.PE)*1P+7/0.127Tc+AL/Mylar]*5+ (7/0.127Tc+PE)*4C+FILLER+AL.F+24/9/0.10Tc 85%}*1C OD:7.3mm+ blackPET Braid Black PVC Jacket Marking White: High Speed HDMI(R Logo)Cable With Ethernet UL(Logo) AWM 20276 VW-1 80°C 30V E81280-D CHING TAI(28AWG C18-72012-*)
5	Ferrite Core (RH17.5*28.5*9.5mm/YT-0040/FC1-0005-00)
4	Plastic Cap-Transparent(OPT-110-024)
3	PVC - Black (M01-011-065/YT-1044)
2	Metal With Nickel Plated(OMT-050-02*)
1	HDMI Plug - Gold Plated(P37-0027G-00)
NO.	DESCRIPTION



ERP NO.:		SAMPLE DWG NO.:	
DOC No.:		REVISION	1.0
CUSTOMER:	CDM(CABLEMATIC)	UNIT	mm
CUSTOMER P/N:	HH0*	SCALE	NO
DESCRIPTION	HDMI PLUG BOTH END(GOLD)	PAGE NO	1/1
		DATE	2010.5.17
APPROVAL		CHECKED	
		DRAWN	YJ