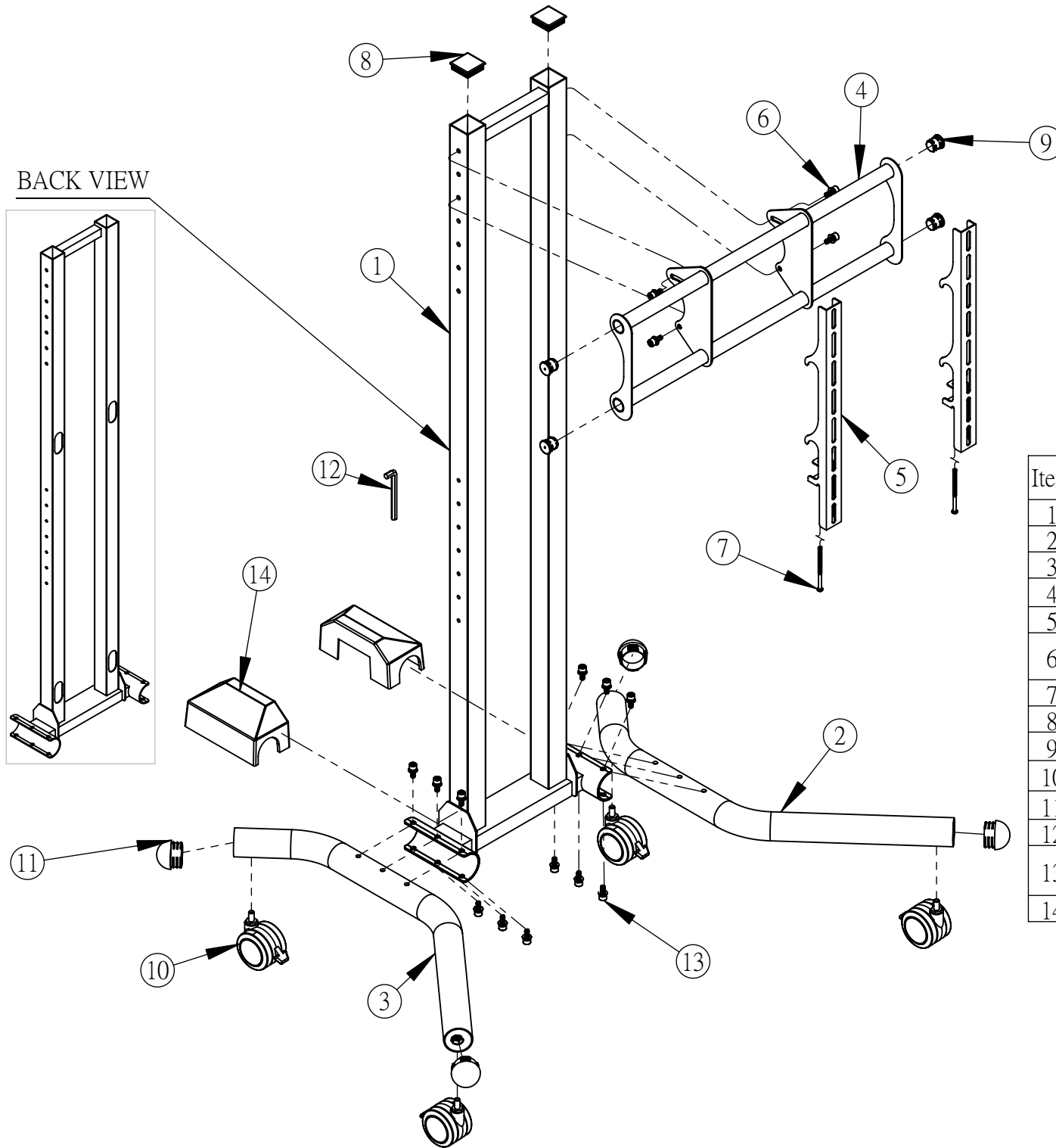


BACK VIEW



PLAB-1033

Item	Spare parts	Q'ty
1	FIXED TUBE	1
2	RIGHT BOTTOM	1
3	LEFT BOTTOM	1
4	ANGLE ADJUSTMENT GROUP	1
5	FIXED PLATE	2
6	SCREW CAP 5/16"- 18UNC*L3/4"+WITH 2 WASHERS	16
7	SCREW RH 1/4"-20UNC*L3"	2
8	PLASTIC TOP 45x45	2
9	PLASTIC TOP Ø1"	4
10	WHEEL	4
11	TOP COVER Ø50.8	4
12	ALLEN WRENCH NO.6	1
13	SCREW CAP 5/16"18UNC *L3/4"WITH 2 WASHERS	16
14	PLASTIC COVER	2