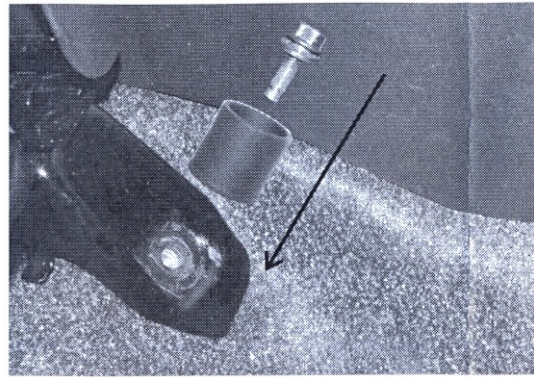
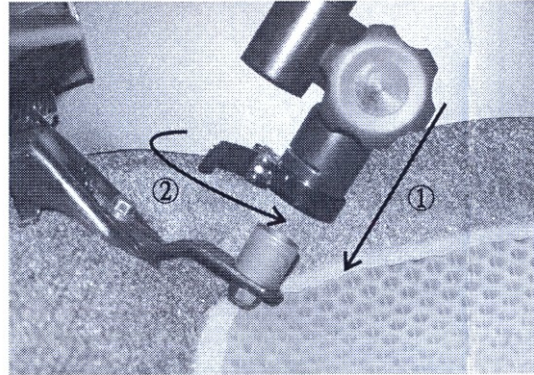


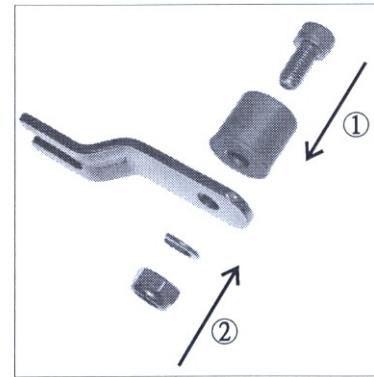
# INSTALL STEPS



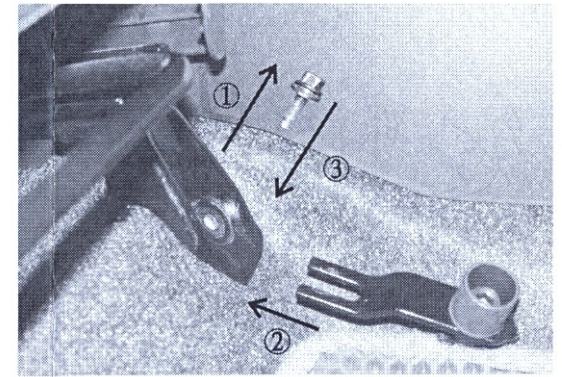
STEP 1 : Loose the bolt of the seat, and assemble with the base, then screw back to the seat. If your seat is unable to assemble the base, please refer to step A and B.



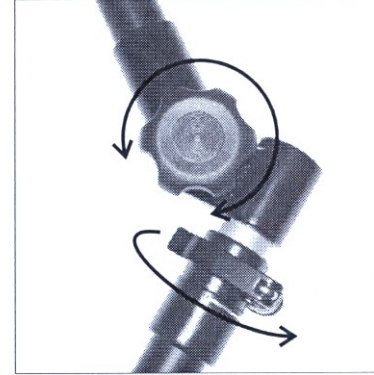
STEP 2 :Put the stand on the base and push the quick release tightly. (To remove the stand, loosen the quick-release's screw to avoid the inner diameter being shrunken.)



STEP A: Choose suitable link bracket, assemble with screw base, washer and screw nut tightly.



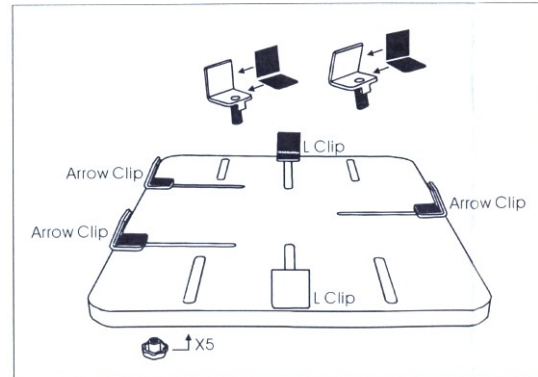
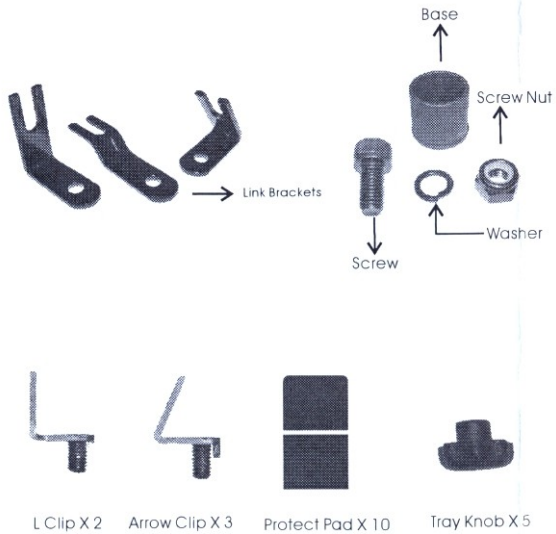
STEP B: Loose the bolt of seat, and screw the link bracket tightly.



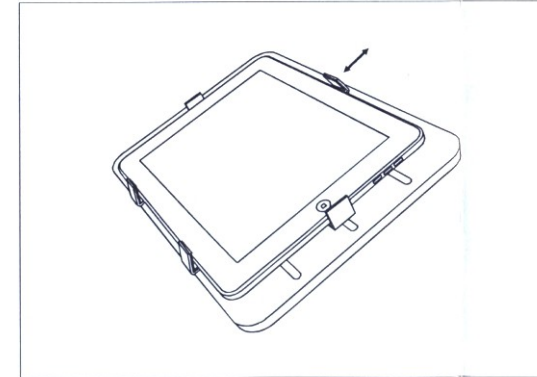
STEP 3 :Loosen and fasten the joint knob can adjust the height and angle of the stand. Push the quick release can adjust the length of the stand and rotate the inner tube.



STEP 4 :Screw the Tray on the Head of the stand, switch the Head Knob can be adjust the Tray to any position.



Stick the L Clips and Arrow Clips with Protect Pads and screw onto the Tray with Tray Kknobs.



Only adjust the upper Tray Knob to put on or take out the ipad or the other elec device. The Tray can be install on any tripod.

**CAUTION**

- \*Please surely fasten all the screws to the tightest when Use the stand.
- \*Not for driver use while driving.
- \*Do not put the stand too high to disturb the air bag.

Max load:  
when moving 2.5KG  
when immobility 5KG