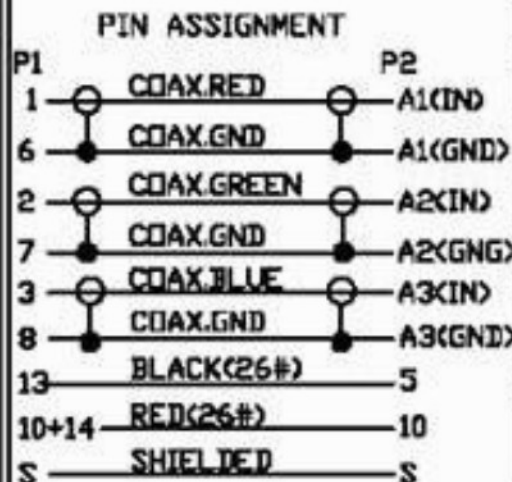


NOTE:
CABLE COLOR : BEIGE 02#

NO	TYPE	DESCRIPTION	NO	TYPE	DESCRIPTION
15	378	SDL-WIRE-63/37-12	16	390	CARTON-45*30*25CM
14	378	PVC-3E02/50	17	370	JUMP WIRE-26-1007-2*20*2MM
13	378	FOL-CU-24*50MM	15	370	SRV-E315/3E02
12	378	FOL-CU-31*115MM			
11	378	HI TEMP TAPE W/20MM L/65MM			
10	378	HI TEMP TAPE W/24 L/200MM			
9	050	TAPE W/12MM L/40MM			
8	378	PE-5321			
7	050	TUBE-HT-#3.0*6MM			
6	050	TUBE-HT-#2.0*6MM			
5	050	TUBE-HT-#1.0*12MM			
4	050	SDL-WIRE-63/37-10			
3	050	CDS-HD15H010			
2	050	CDS-13V3F-SCIO (2*2*10)			
1	050	UL2919-3COAX*28*2C*26*2+ADB -3E02-1.8H-#8.0 (芯線顏色指定)			

PIN ASSIGNMENT		ITEM#	REV
P1	P2	HJ-141-VG37	R
1	A1(IN)	SCALE: NONE	DATE: 04/05/28
6	A1(GND)	CUSTOMER: A141	PAGE: 1/1
2	A2(IN)	CUSTOMER P/N	
7	A2(GND)		
3	A3(IN)		
8	A3(GND)		
13	5		
10+14	10		
S	S		

15	390	CARTON-45*30*25CM
14	390	PE BAG 30*28*0.08MM
13	390	PE BAG 7*10*0.06MM
12	390	TIE-A180/3E02
11	370	JUMP WIRE-26-1007-2*20*2MM
10	370	SRV-E315/3E02



DRAW BY: BOB
CHECK BY:
APP BY:

ALL DIMENSIONS IN mm